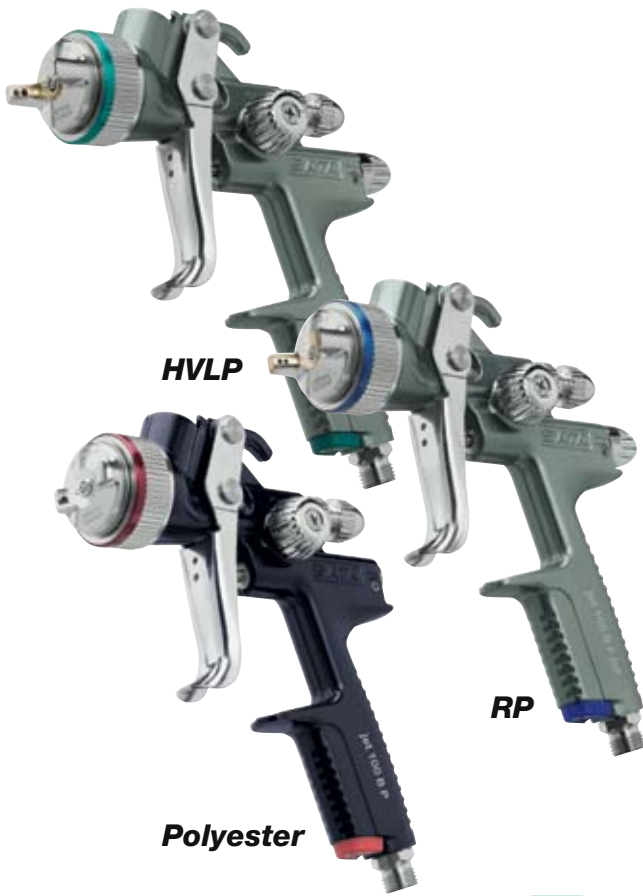


SATAjet 100 B

Primer/Filler or All Purpose Gravity Gun

Use for high quality primer/filler/sealer coatings in automotive refinish or general use by the handyman.

"Quality starts with the foundation". With this motto, SATA is now launching the SATAjet 100 series, the new spray gun range for primer materials. The spray gun series SATAjet 100 B consists of three different product categories, each one of them specially developed for their specific area of primer material application, yet highly flexible and universally applicable: From spot repair areas to large surfaces; with inlet pressures ranging from 15 - 29 psi. The SATAjet 100 BF offers a wide even fan that minimizes overspray, sanding and material consumption. Three versions available, dubbed the "Super Speed", the SATAjet 100 B F RP works with optimized high-pressure technology (RP = Reduced Pressure). The "Super Saver", the SATAjet 100 BF HVLP is based on the widely known HVLP low-pressure system. The new series is completed by a special gun for polyester primers and spray putties which have to be sprayed with high film build, the SATAjet 100 B P (P = polyester)



HVLP

RP

Polyester

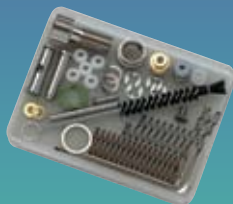
Technical Data

	HVLP	RP	P
Operating Pressure:29psi21.8-2921.8-29
Air Consumption:12.4 @ 29 psi10.2 @ 298.7 @ 29
Spray Distance:5-7 inches7-9 inches7-9 inches
Finish:smooth coated for easy cleaning		
Weight15.3 oz (w/o cup)		

Spray Gun Model	Nozzle Size	Product Nos.			Nozzle Set
		0.6 L PVC Cup	0.75 L Alum Cup	1.0 L Alum Cup	
SATAjet 100 BF RP	1.6 mm	145193	146134	146159	145250
	1.8 mm	145201	146142	146167	145268
	2.0 mm	145219	147421	147439	145276
SATAjet 100 BF HVLP	1.4 mm	146373	147447	146399	146381
	1.7 mm	145722	146175	146191	145417
	1.9 mm	145730	146183	146209	145425
	2.1 mm	145748	147454	147462	145433
SATAjet 100 BP	2.5 mm	145185	146217	147470	145284



SATA adam
Digital Pressure Readout
No. 130146



Repair Kit
No. 130542



Cleaning needle
and brush set
No. 64030



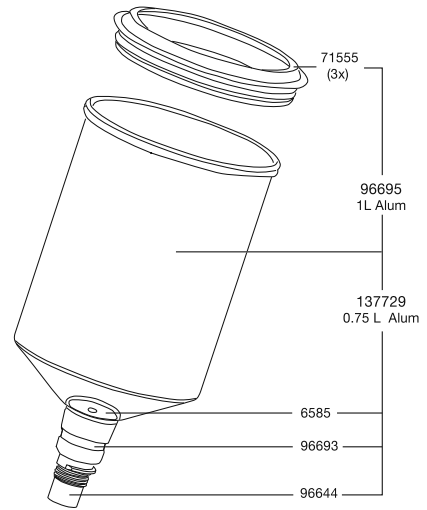
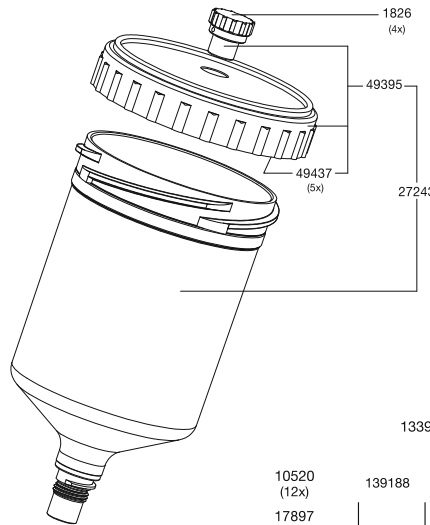
RPS Disposable Cup
w. plug-in sieve, 0.9l
No. 118489 40 pk



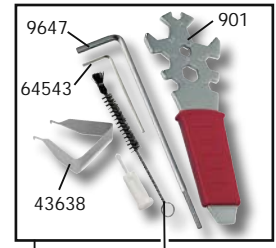
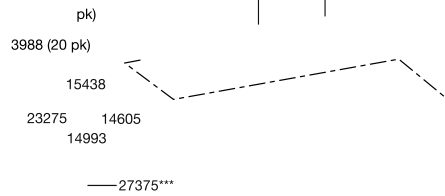
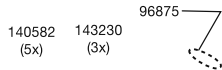
Paint Sieve
No. 3988-5
(pk of 5)

Replacement Parts:

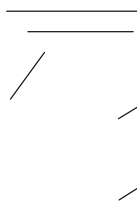
SATAjet 100 BF HVLP, RP & BP



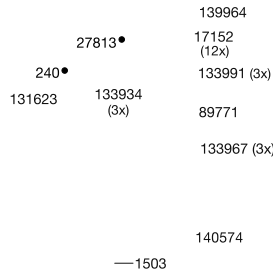
96719 QCC adapter for PPS cup



3509 1 supplied in tool kit and repair kit



130492

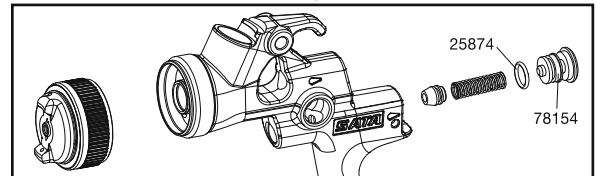


Parts colored red are supplied in SATAjet 100B repair kit, part no. 130542

- Indicates air piston service set part no. 82826
- ** Indicates parts are available separately or in a service set
- *** Indicates package of 12 springs

Part no. 10520, spring #17897
Part no. 17152, spring #27813
Part no. 27375, spring #14993

SATAjet 100 B "P"



all other parts are common unless stated

Part#	Description	Part#	Description	Part#	Description
240	Packing, air piston	17152	Spring, air piston, pk of 12 #27813	130542	Repair kit, SATAjet 100 B series
901	Wrench, universal spanner	17525	Spring, spacer lock	131623	"O" ring, fan control
1503	Screw, fan control	17897	Spring, paint needle	133884	Kit, battery, cover w/gasket
1826	Non-drip device (4 pk)	23275	Packing, needle	133926	Kit, trigger sleeve
3426	Circlip, pin	27243	Cup, 0.6L QCC plastic	133934	"O" ring, fan control, (3 pk)
3509	Brush, large standard	27375	Spring, needle packing, (12 pk) #14993	133942	Bushing, air piston
3624	Pin, air micrometer	27813	Spring, air piston	133959	Kit, spring, (3 ea. of #27813 & #17897)
3699	Pin, lower trigger	43638	Puller, wire air ring	133967	Pin, air micrometer, (3 pk)
3988	Sieve, pk of 20	49395	Lid, 0.6L plastic	133983	Fitting, standard ¼ air inlet
3988-5	Sieve, pk of 5	49437	Cup Lid Drip Ring, 0.6L, (5 pk)	133991	Packing, air piston, (3 pk)
6007	Brush, large standard, pk of 10	71555	Lid, plastic, (3 pk)	139188	Kit, fluid control and lock nut
6395	Disc, CC (standard), pk of 4	89771	Control spindle, flat/round, w/"O"ring	139964	Air micrometer, HVLP & RP only
6585	Insert, aluminum cup	82826	Kit, air piston service	140574	Knob, fan control w/ screw
9050	Tool kit	91959	Piston, air rod	140582	Fluid tip seal (5 pk)
9647	Allen wrench, 4mm	96644	Nipple, QCC aluminum cup	143230	Air distribution ring (3 pk)
10520	Spring, needle, pk of 12 #17897	96685	Cup, 1L QCC aluminum		
12591	Pin, upper trigger	96693	Ring, QCC marking		
14605	Bushing, needle packing	96719	Adapter, QCC to PPS cup		
14993	Spring, needle packing	96875	Inner cup seal		
15438	Kit, needle packing	130492	Kit, trigger service complete		

Only with SATAjet 100 B "P" version:

- 25874 "O" ring 9 x 1.5
- 78154 Closing cap w "O" ring seal