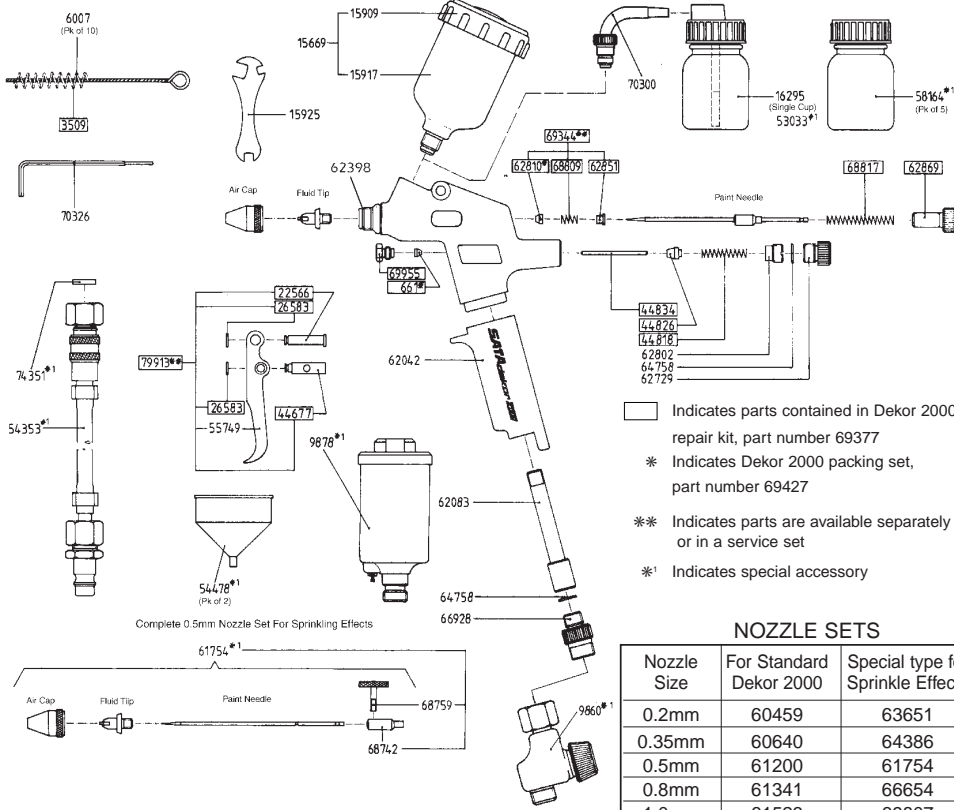


Replacement parts:

Sata Dekor 2000 Anodized Royal Blue



NOZZLE SETS

Nozzle Size	For Standard Dekor 2000	Special type for Sprinkle Effects
0.2mm	60459	63651
0.35mm	60640	64386
0.5mm	61200	61754
0.8mm	61341	66654
1.0mm	61523	69807

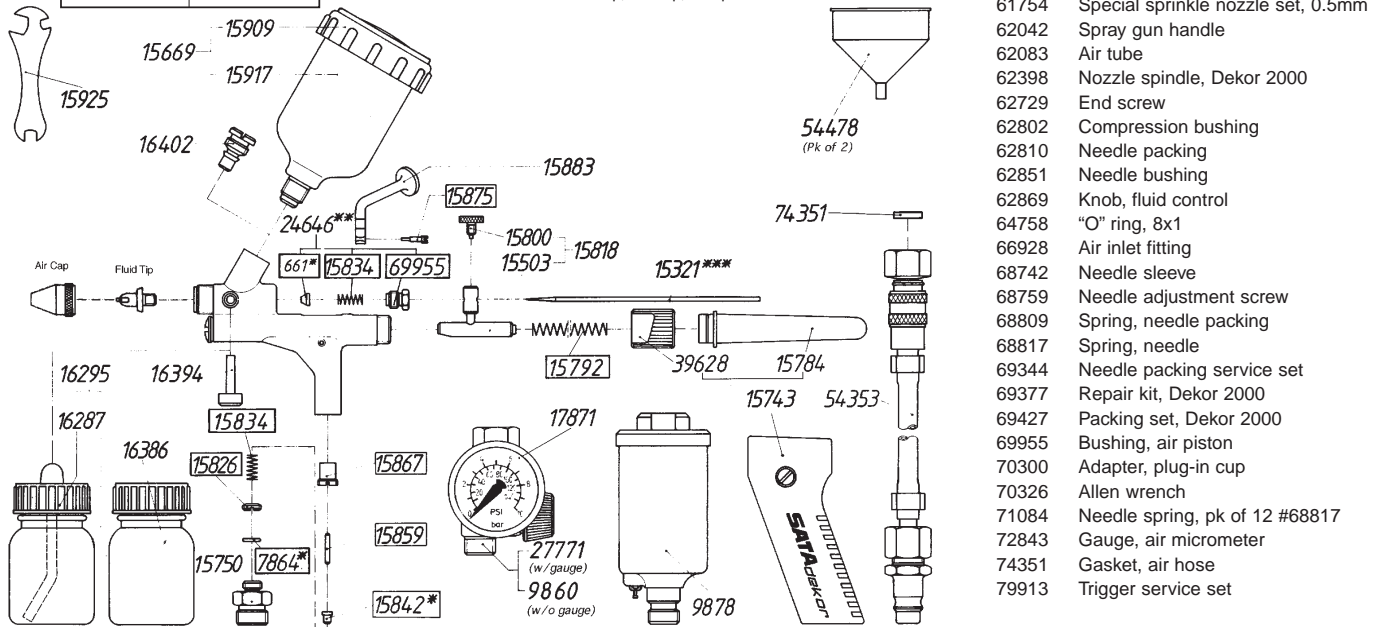
Replacement parts:

Sata Dekor/Z Universal Nickel Plated

NOZZLE SETS

Nozzle Size	Dekor/Z
0.2mm	5298
0.35mm	5280
0.5mm	5272
0.8mm	5264
1.0mm	5256

- Indicates Sata Dekor/Z parts included in repair kit, part number 9761
 * Indicates Dekor packing set, part number 50609
 ** Indicates parts are available separately or in a service set
 *** Indicates nozzle sets are proved and consist of air cap, fluid tip, and paint needle



- | Part # | Description |
|--------|------------------------------------|
| 661 | Packing, air piston |
| 3509 | Cleaning brush |
| 6007 | Standard cleaning brush, pk of 10 |
| 7864 | "O" ring |
| 9761 | Repair kit, Dekor |
| 9860 | Air micrometer without gauge |
| 9878 | Mini water separator |
| 15503 | Needle holder |
| 15669 | 65cc plastic gravity cup |
| 15743 | Grip with screw |
| 15750 | Adapter, R 1/4 BSP |
| 15784 | Balance housing |
| 15792 | Spring, needle holder |
| 15800 | Screw, needle adjusting |
| 15818 | Needle holder with screw |
| 15826 | Screw, air piston |
| 15834 | Spring, needle packing |
| 15842 | Air piston head |
| 15859 | Air piston |
| 15867 | Bushing, air cylinder |
| 15875 | Trigger screw |
| 15883 | Trigger |
| 15909 | 65cc cup lid |
| 15917 | 65cc cup without lid |
| 15925 | Spanner wrench |
| 16287 | Plug-in cup lid |
| 16295 | Plug-in cup, complete |
| 16386 | Cup with plain cap |
| 16394 | Plug, plug-in siphon cup |
| 16402 | Plug, gravity cup |
| 22566 | Pin, upper trigger |
| 24646 | Needle packing service set |
| 26583 | Circlip |
| 27771 | Air micrometer with gauge |
| 39628 | Housing screw |
| 44677 | Pin, lower trigger |
| 44818 | Spring, air piston |
| 44826 | Packing, air piston |
| 44834 | Air piston |
| 50609 | Packing set, Dekor |
| 52035 | Air piston spring, pk of 12 #44818 |
| 53033 | Plug-in cup, pk of 5 |
| 54353 | Accessory air hose |
| 54478 | Funnel sieve, pk of 2 |
| 55749 | Trigger |
| 58164 | Glass cup, pk of 5 |
| 61754 | Special sprinkle nozzle set, 0.5mm |
| 62042 | Spray gun handle |
| 62083 | Air tube |
| 62398 | Nozzle spindle, Dekor 2000 |
| 62729 | End screw |
| 62802 | Compression bushing |
| 62810 | Needle packing |
| 62851 | Needle bushing |
| 62869 | Knob, fluid control |
| 64758 | "O" ring, 8x1 |
| 66928 | Air inlet fitting |
| 68742 | Needle sleeve |
| 68759 | Needle adjustment screw |
| 68809 | Spring, needle packing |
| 68817 | Spring, needle |
| 69344 | Needle packing service set |
| 69377 | Repair kit, Dekor 2000 |
| 69427 | Packing set, Dekor 2000 |
| 69955 | Bushing, air piston |
| 70300 | Adapter, plug-in cup |
| 70326 | Allen wrench |
| 71084 | Needle spring, pk of 12 #68817 |
| 72843 | Gauge, air micrometer |
| 74351 | Gasket, air hose |
| 79913 | Trigger service set |