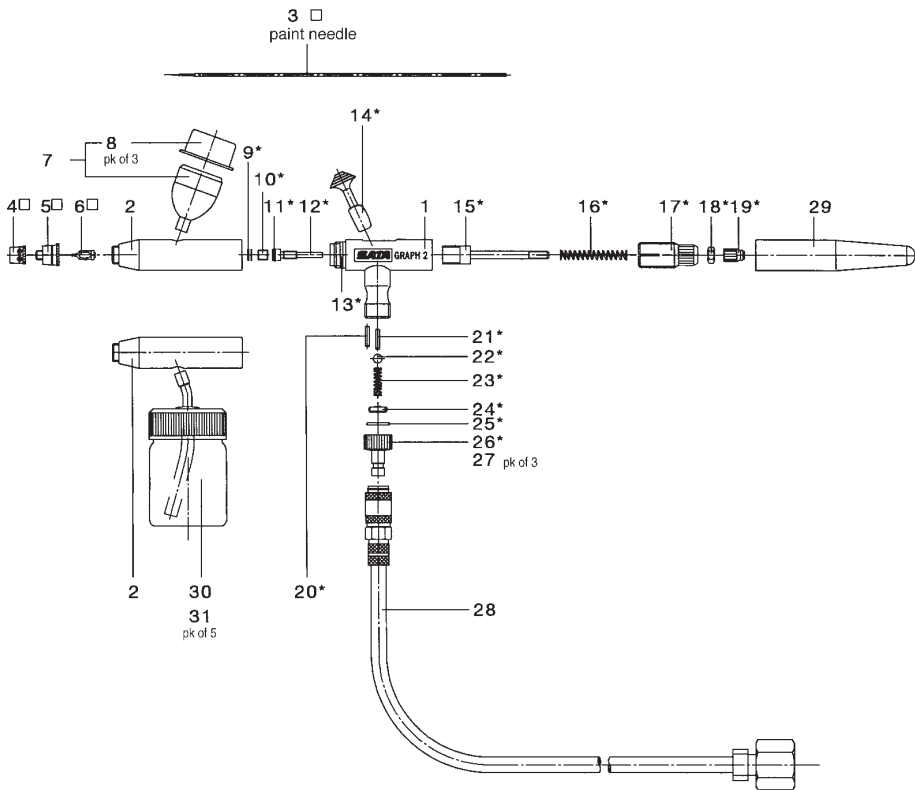


Replacement parts:

Sata Graph 2 Nickel Plated Airbrush



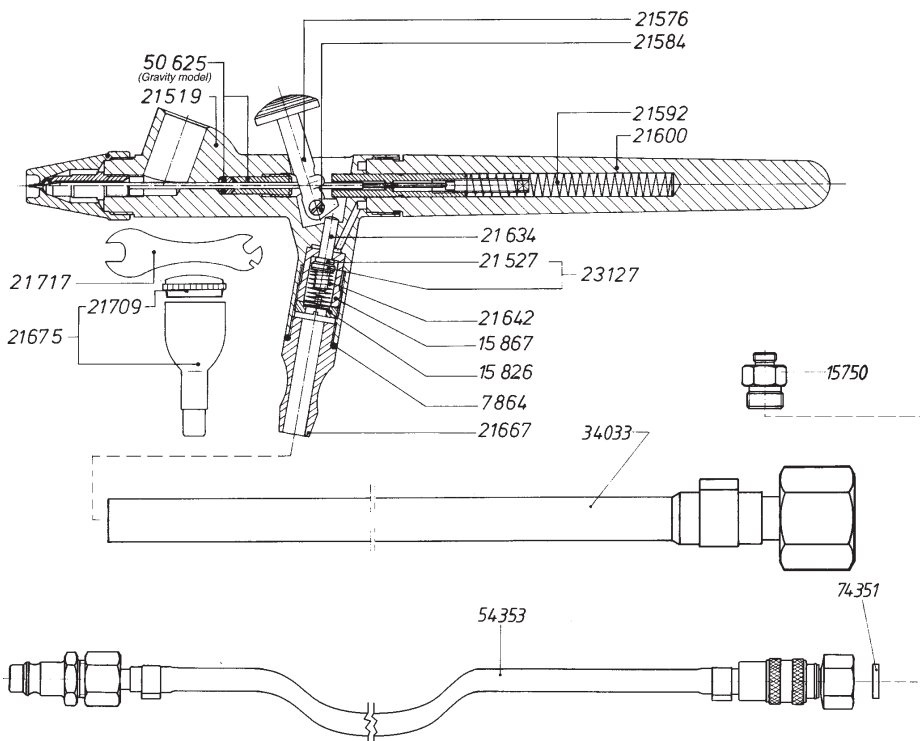
No.	Part#	Description
	31476	Nozzle set, 0.25mm
7	31781	Gravity cup, 4ml w/lid
8	32029	Cup lid, pk of 3
*	32276	Repair Kit
27	32615	Nipple, pk of 3
28	32987	Air hose, complete
29	33001	Grip housing
30	33019	Glass cup, 15 ml w/lid
31	33092	Glass cup, pk of 5, 2 types

Complete nozzle set

* These parts are available in component groups or service sets

Replacement parts:

Sata Graph/Z Nickel Plated Airbrush



NOZZLE SETS

Nozzle Size	Graph/Z
0.15mm	52159
0.20mm	19489
0.25mm	19497

Part#	Description
7864	"O" ring
15750	Adapter, R 1/4 BSP
15826	Screw, air piston
15867	Bushing, air cylinder
21519	Gun body, Graph/Z
21527	"O" ring
21576	Trigger
21584	Screw, trigger
21592	Spring, needle
21600	Balance housing
21634	Air piston
21642	Spring, air piston
21667	Hose connection
21675	10cc gravity cup
21709	10cc gravity cup lid
21717	Spanner wrench
23127	Air piston head
34033	Accessory air hose, push on
50625	Packing set, gravity
54353	Accessory air hose with fittings
74351	Gasket, air hose