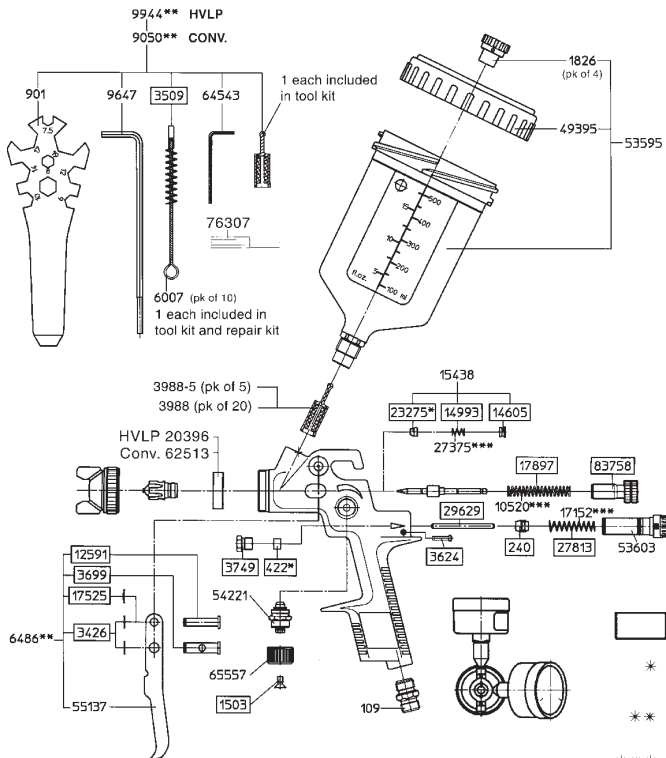


# Sata KLC HVLP Anodized Teal Green

## Sata KLC Conventional Anodized Charcoal Gray or Royal Blue



### HVLP NOZZLE SETS

Nozzle Size	KLC-B
1.4mm	32748
1.7mm	32755
1.9mm	32771
2.1mm	33415

### HVLP TEST AIR CAP

Nozzle Size	KLC-B
1.4mm	67041
1.7mm	67231
1.9mm	67249
2.1mm	67231

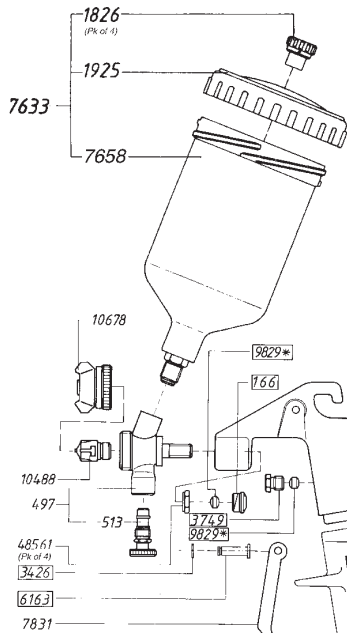
### NOZZLE SETS

Nozzle Size	KLC
1.3mm	87973
1.6mm	87981
NA (1.8mm)	88005
2.0mm	87999
P (2.5mm)	88013

- Indicates parts contained in KLC repair kit, part number 12633
- \* Indicates KLC packing set, part number 71456
- \*\* Indicates parts are available separately or in a service set
- \*\*\* Indicates package of 12 springs part number 10520 (spring 17897) part number 17152 (spring 27813) part number 14993 (spring 14993)

Replacement parts:

## Sata KL/S Anodized Black



- Indicates parts contained in KL/P/S repair kit, part number 49056
- \* Indicates KL/P/S packing set, part number 9829
- \*\*\* Indicates package of 12 springs part number 1008 (spring #448) part number 17152 (spring #27813)

### NOZZLE SETS

Nozzle Size	KL/P
NA <sup>®</sup> (1.6mm)	55699
1.8mm	6684
P <sup>®</sup> (2.5mm)	10785

① Indicates low overspray version ("NA" is a compromise between conventional and HVLP)  
 ② Indicates "P" use for Polyester

- | Part # | Description                            |
|--------|--|
| 109    | Air inlet fitting                      |
| 141    | End screw                              |
| 166    | Stuffing box                           |
| 182    | Lock, cap nut                          |
| 208    | Cap nut                                |
| 216    | End ring                               |
| 240    | Air piston packing                     |
| 257    | Air piston, complete                   |
| 307    | Cam rod guide tube                     |
| 315    | Cam rod                                |
| 422    | Air piston packing                     |
| 448    | Needle spring                          |
| 497    | Nozzle head, KL                        |
| 513    | Fan control                            |
| 901    | Spanner wrench                         |
| 1008   | Needle spring, pk of 12 #455           |
| 1826   | Non-drip device, pk of 4               |
| 1925   | 0.6 liter cup lid                      |
| 3426   | Circlip                                |
| 3509   | Std cleaning brush                     |
| 3624   | Pin, micrometer                        |
| 3699   | Pin, lower trigger                     |
| 3749   | Stuffing box                           |
| 3988   | Paint sieve, pk of 20                  |
| 3988-5 | Paint sieve, pk of 5                   |
| 6007   | Std cleaning brush, pk of 10           |
| 6163   | Trigger pin                            |
| 6486   | Trigger service set                    |
| 7054   | Fluid control service set              |
| 7633   | 0.6L plastic gravity cup               |
| 7658   | 0.6L cup without lid                   |
| 7807   | Air tube                               |
| 7815   | Nut, 1/4 BSP                           |
| 7831   | Trigger                                |
| 9050   | Tool set, conventional                 |
| 9647   | Allen wrench, 4mm                      |
| 9829   | Packing set, KL                        |
| 9944   | Tool Set, HVLP                         |
| 10488  | Fluid tip "P"                          |
| 10520  | Needle spring, pk of 12 #17897         |
| 10678  | Air cap, "P"                           |
| 12286  | Needle, "P"                            |
| 12591  | Pin, upper trigger                     |
| 12633  | Repair kit                             |
| 14605  | Bushing, needle packing                |
| 14993  | Spring, needle packing                 |
| 15438  | Needle packing service set             |
| 17152  | Air piston spring, pk of 12 #27813     |
| 17525  | Spring clip                            |
| 17897  | Spring, needle                         |
| 20396  | Air distribution insert, HVLP          |
| 23275  | Packing needle                         |
| 27375  | Needle packing spring, pk of 12 #14993 |
| 27771  | Air micrometer with gauge              |
| 27813  | Air piston spring                      |
| 29629  | Air piston                             |
| 48561  | Nozzle head unit, pk of 4              |
| 49056  | Repair kit, KL                         |
| 49395  | Cup lid, 0.6 L                         |
| 53595  | 0.6L plastic gravity cup               |
| 53603  | Air micrometer                         |
| 54221  | Fan Control, complete                  |
| 55137  | Trigger                                |
| 60145  | Pistol grip, plastic                   |
| 62513  | Air distribution insert, conv.         |
| 64543  | Allen wrench, 2mm                      |
| 65557  | Knob, fan control                      |
| 70706  | 0.6L cup without lid                   |
| 71456  | Packing set                            |
| 76307  | Socket wrench                          |
| 83758  | Fluid regulating control               |